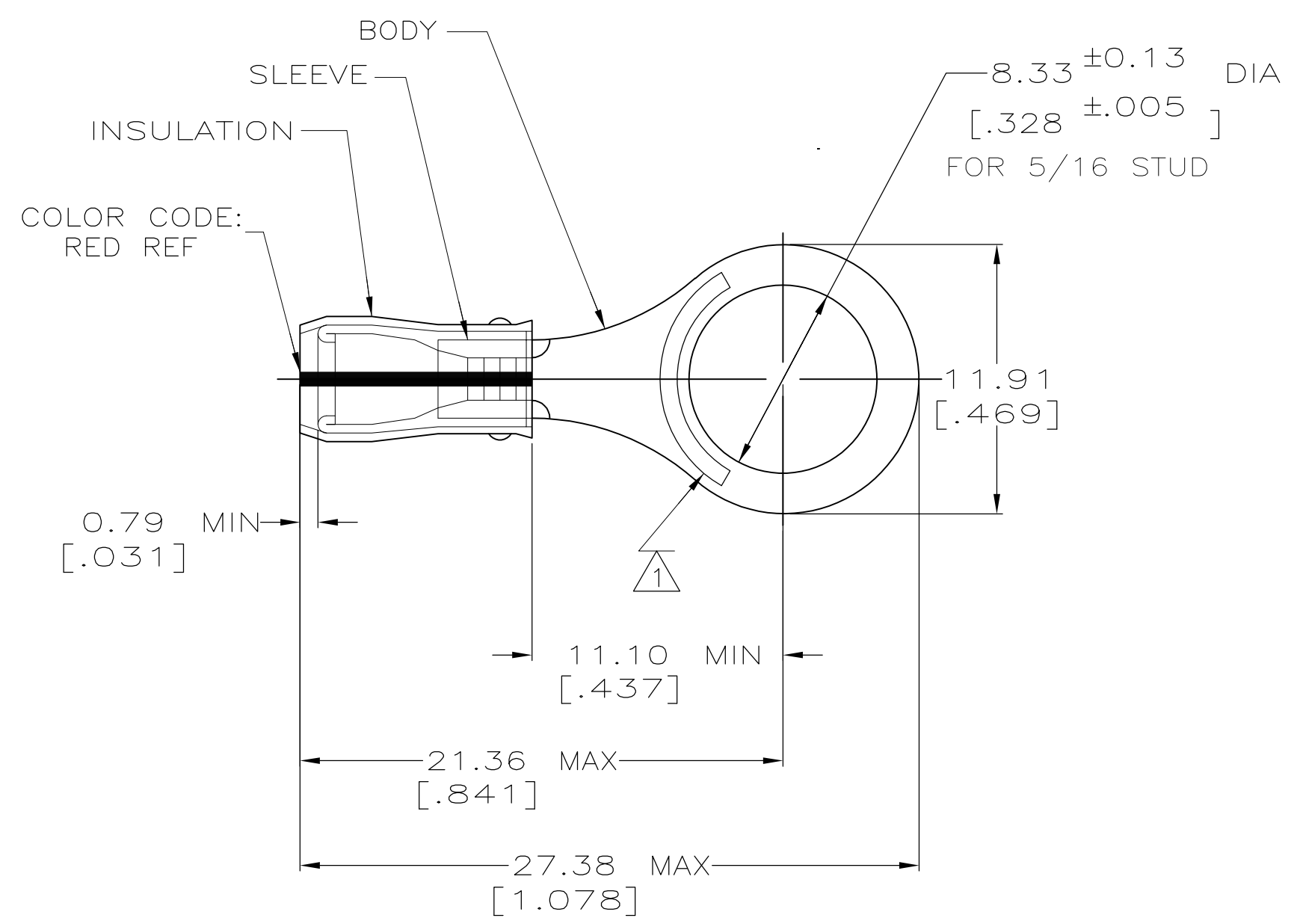


THIS DRAWING IS UNPUBLISHED. RELEASED FOR PUBLICATION  
 © COPYRIGHT BY TYCO ELECTRONICS CORPORATION. ALL RIGHTS RESERVED.

LOC	DIST	REVISIONS					
		P	LTR	DESCRIPTION	DATE	DWN	APVD
G	14		K1	REV PER ECR 09-026074	30NOV09	JR	TM



- ① STAMP AMP 22-18\* APPROX AS SHOWN  
22-16 TERMINALS ARE STAMPED 22-18 IN ACCORDANCE WITH MILITARY SPEC MIL-T-7928 COMMERCIAL WIRE RANGE IS 22-16
- 2 WIRE INSULATION DIA: .080 - .125
- 3 TONGUE MATERIAL THK: 0.79<sup>±0.05</sup> [.031<sup>±.002</sup>]
- ④ BODY: TIN/LEAD (93-7) PLATE PER ASTM B545. (3% MIN LEAD CONTENT)  
SLEEVE: TIN/LEAD (93-7) PLATE PER ASTM B545. (3% MIN LEAD CONTENT)
- ⑤ BODY & SLEEVE: COPPER PER ASTM B152  
INSULATION: PVF2 , NATURAL

M7928/4-104, CLASS 1 & 2 M7928/13-104, CLASS 2	-	LOOSE PIECE	53411-1
MILITARY P/N AND CLASS	QTY	PACKAGE TYPE	PART NO

**AMP INCORPORATED  
CUSTOMER SERVICE SYSTEMS**

FOR ADDITIONAL PRODUCT INFORMATION OR COPIES OF DRAWINGS AND TECHNICAL DOCUMENTS  
 PRODUCT INFORMATION CENTER  
 1-800-522-6752

FOR APPLICATION TOOLING INFORMATION  
 TOOLING ASSISTANCE CENTER  
 1-800-722-1111

FOR ORDER ENTRY  
 1-800-526-5142

MAX RECOMMENDED OPERATING TEMPERATURE:  
150° C

VOLTAGE RATING:  
N/A

CIRCULAR MIL AREA:  
0.26-1.65mm<sup>2</sup> [509-3,250] STRANDED

THIS DRAWING IS A CONTROLLED DOCUMENT.

DIMENSIONS: MM[INCHES]

TOLERANCES UNLESS OTHERWISE SPECIFIED:

0 PLC	± -
1 PLC	± -
2 PLC	± 0.20[.008]
3 PLC	± -
4 PLC	± -
ANGLES	± -

MATERIAL: - ⑤ FINISH: - ④

DWN DK SCHRUM 06/16/93	Tyco Electronics Corporation Harrisburg, PA 17105
CHK RE HERSEY 7/6/93	
APVD RE HERSEY 7/6/93	
PRODUCT SPEC	
108-11023	NAME: TERMINAL, RING TONGUE, PVF2, P.I.D.G. WIRE SIZE: 22-16 AWG
APPLICATION SPEC	SIZE: A3 CAGE CODE: 00779 DRAWING NO: C-53411 RESTRICTED TO: -
NOT AVAILABLE	SCALE: 4:1 SHEET: 1 OF 1 REV: K1
WEIGHT: -	CUSTOMER DRAWING